



VB1 - RIG



VB1 - RIG

VB1 RIG is portable electric drilling rig designed for professional and personal use.

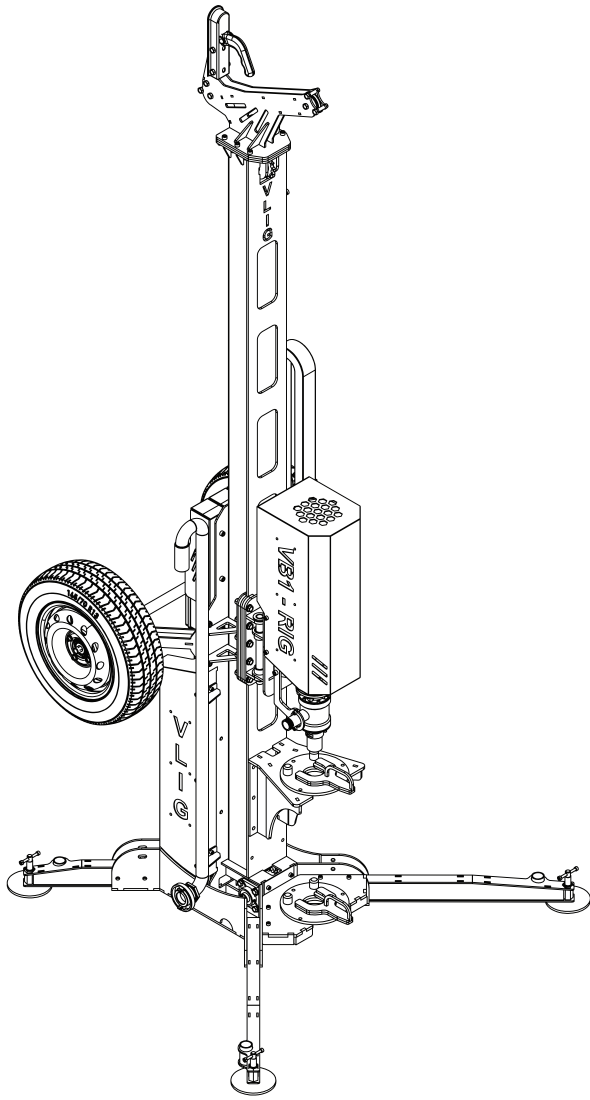
Easy for transport and setting up for work.

Machine features remote cable controls, winch, lifted work table, pipe locking mechanism, overheating protection, removable water swivel.

AREA OF USAGE:

- ➔ Water wells
- ➔ Geothermal drilling
- ➔ Geotechnical drilling
- ➔ DTH hammer drilling

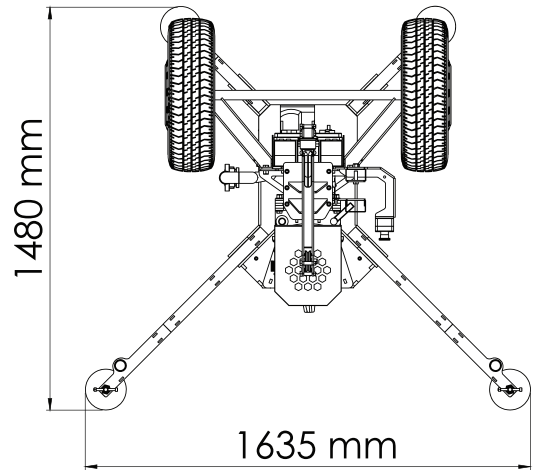




FRONT SIDE

SPECIFICATIONS	VBI - RIG
Rotary head torque	500nm
Rotary head RPM	40
Max pull up	1000kg
Max pull down	500kg
Winch force	300kg
Water swivel head	Yes
Pipe feed	2m
Max drilling depth	60-70m
Max drilling diameter	300mm
Power supply	380V

TOP SIDE



LEFT SIDE

